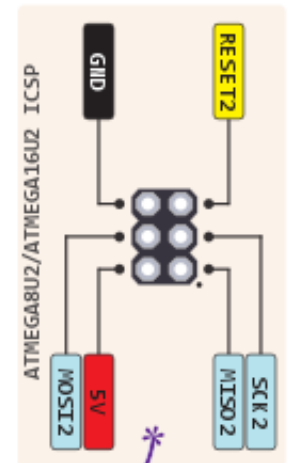
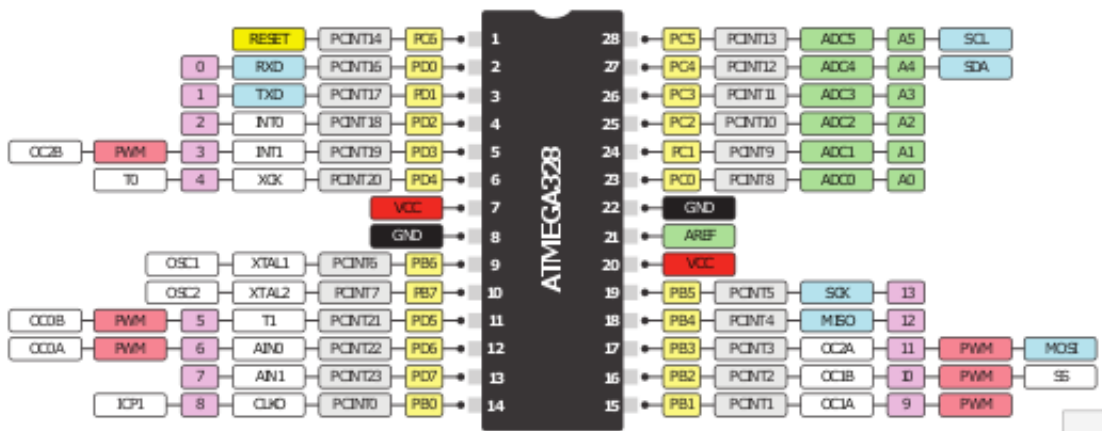


# ARDUINO UNO



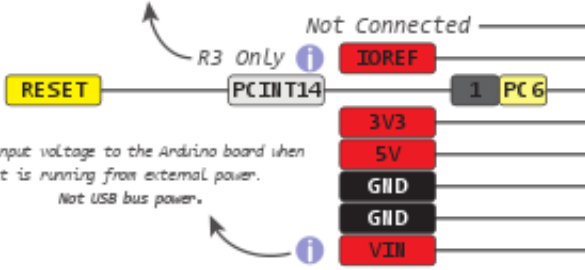
- ⚠ Absolute max per pin 40mA recommended 20mA
- ⚡ Absolute max 200mA for entire package

7-12V Depending on current drawn

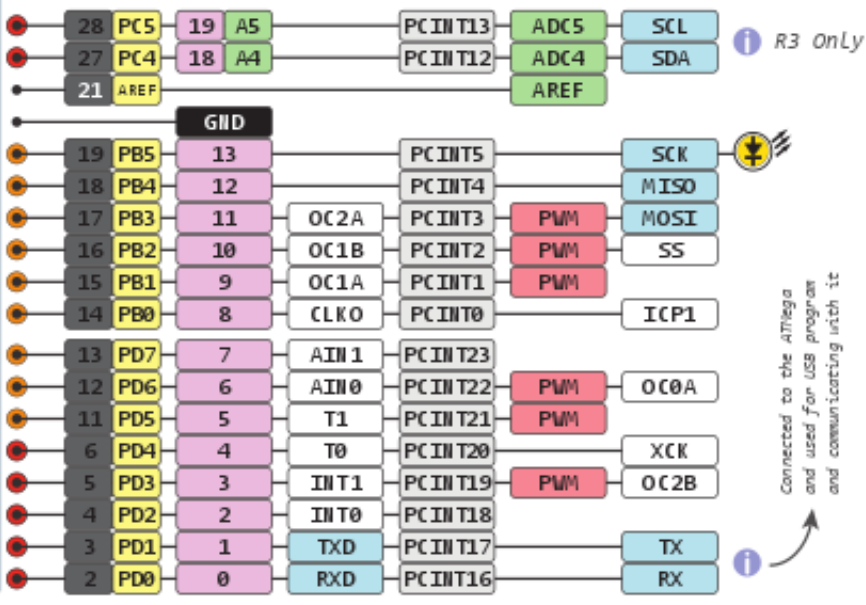
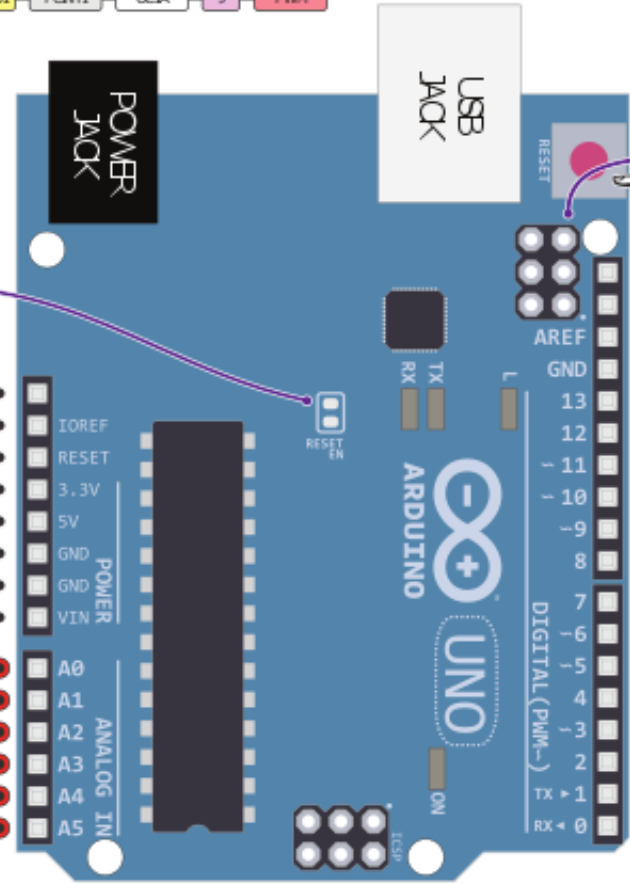


Cut to disable the auto-reset

This provides a Logic reference voltage for shields that use it. It is connected to the 5V bus.



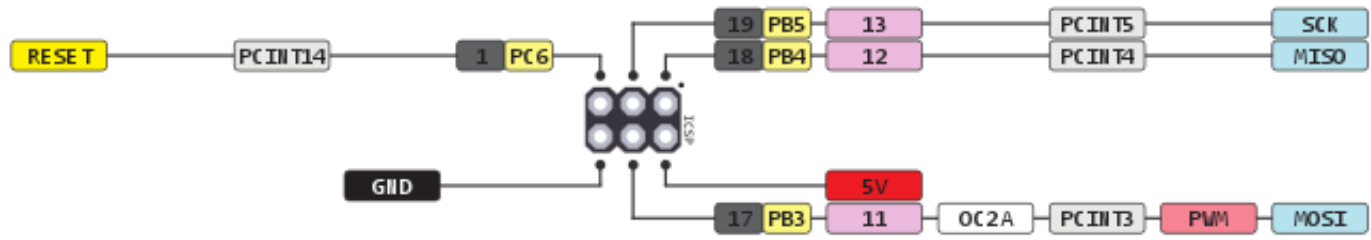
The input voltage to the Arduino board when it is running from external power. Not USB bus power.



R3 Only



Connected to the Atmega and used for USB program and communicating with it



Black	GND
Red	Power
Yellow	Control
White	Physical Pin
Light Blue	Port Pin
Light Green	Pin Function
Light Purple	Digital Pin
Light Orange	Analog Related Pin
Light Pink	PWM Pin
Light Blue-Gray	Serial Pin
Light Green-Gray	IDE
Red Circle	Source Total 150mA