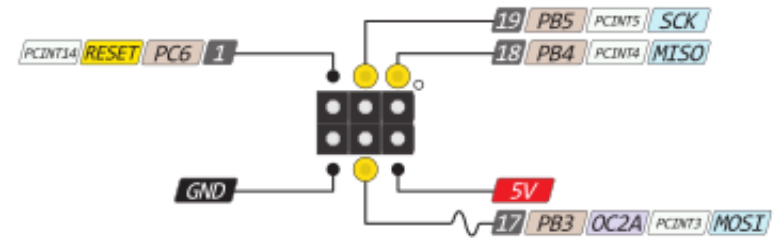
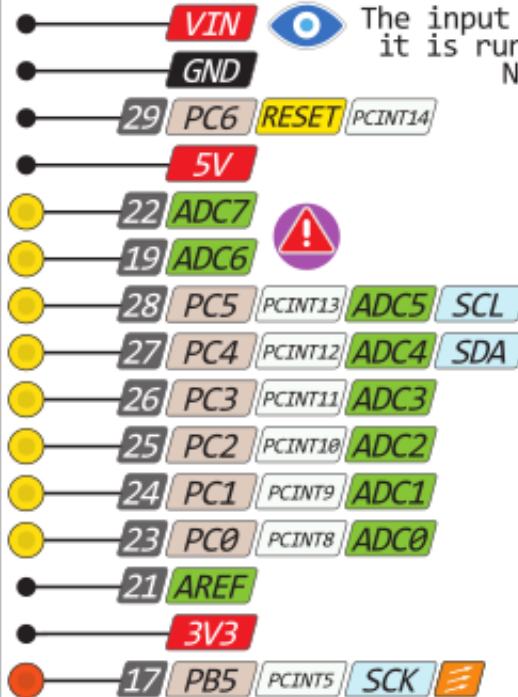
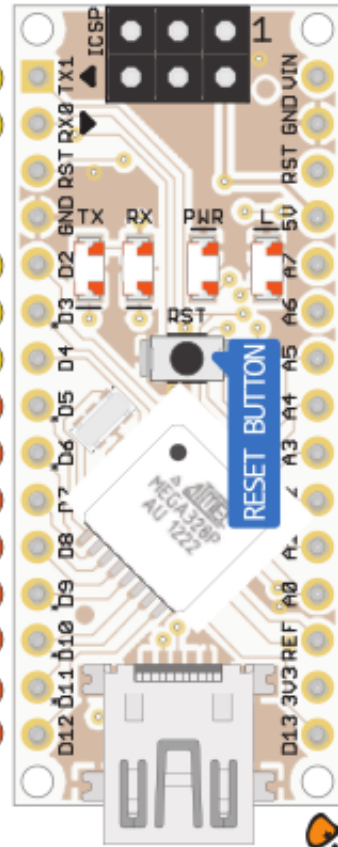
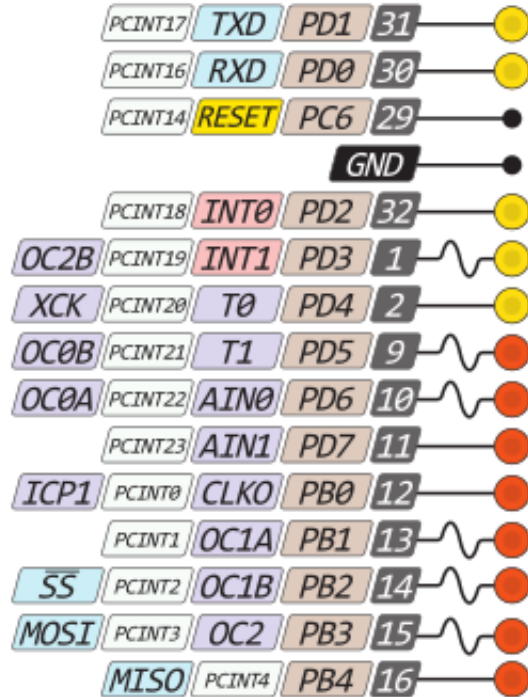


NANO PINOUT



- 1
- 0
- 2
- 3
- 4
- 5
- 6
- 7
- 8
- 9
- 10
- 11
- 12



- A7
- A6
- A5
- A4
- A3
- A2
- A1
- A0
- 13

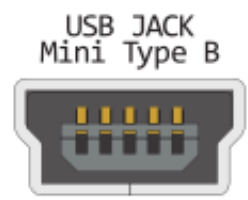
The input voltage to the board when it is running from external power. Not USB bus power.

- Power
- GND
- Serial Pin
- Analog Pin
- Control
- INT
- Physical Pin
- Port Pin
- Pin function
- Interrupt Pin
- ~ PWM Pin
- ● Port Power ⚠

⚠ The power sum for each pin's group should not exceed 100mA

⚠ Absolute MAX per pin 40mA recommended 20mA

⊘ Absolute MAX 200mA for entire package



⚠ Analog exclusively Pins