



# MINI PINOUT

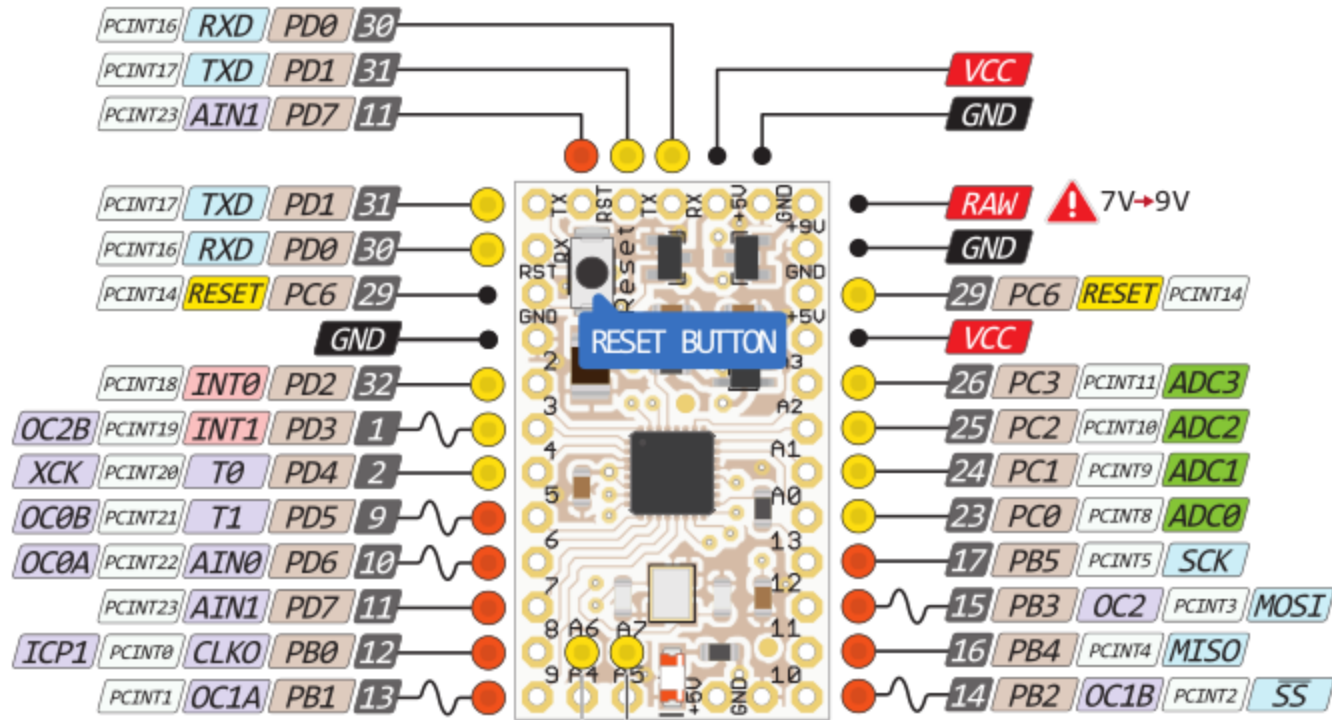
 The power sum for each pin's group should not exceed 100mA

-  IDE
-  Power
-  GND
-  Serial Pin
-  Analog Pin
-  Control
-  INT
-  Physical Pin
-  Port Pin
-  Pin function
-  Interrupt Pin
-  PWM Pin
-  Port Power 




0  
1  
7

1  
0

2  
3  
4  
5  
6  
7  
8  
9



17A3  
16A2  
15A1  
14A0  
13  
12  
11  
10

-  Absolute MAX per pin 40mA recommended 20mA
-  Absolute MAX 200mA for entire package
-  Absolute MAX 150mA when RAW powered

 Analog exclusively Pins

19A5  
18A4  
A7  
A6